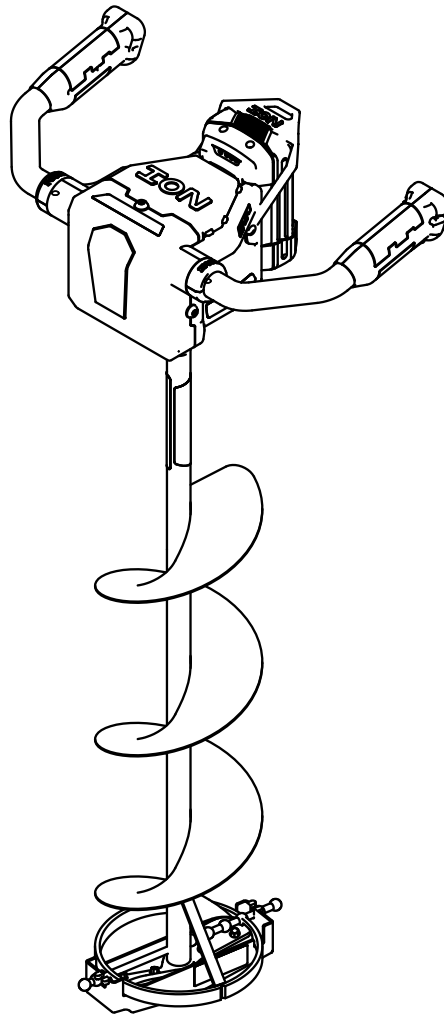




Operator's Manual  
**Ion™**  
**Electric Ice Auger**  
Original Operating Instructions



**ION™**  
**ELECTRIC ICE AUGER**  
MODEL 11733

Get parts online at  
[www.ioniceaugers.com](http://www.ioniceaugers.com)



11474  
Revised 03/06/12  
© 2012 Ardisam, Inc.  
All Rights Reserved.

## INTRODUCTION

### THANK YOU . . .

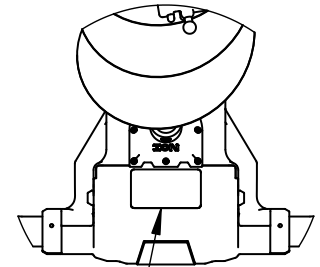
for purchasing an Ion™ High-Performance Electric Ice Auger from Ardisam, Inc. We have worked to ensure that this ice auger meets the highest standards for usability and durability. With proper care, your ice auger will provide many years of service. Please take the time to read this manual carefully to learn how to correctly operate and maintain your ice auger. Congratulations on your investment in quality.

### CONTENTS

Registration, Service and Maintenance Log .....	2
Warnings and Safety Precautions.....	3-5
Features .....	4
Unpacking and Assembly .....	6
Operation .....	7
Maintenance .....	7-8
Service and Repairs .....	8
Troubleshooting .....	8
Parts.....	9-10
Warranty .....	11

## REGISTRATION, SERVICE AND MAINTENANCE LOG

Record the model number and serial number in the space provided for easy reference when ordering parts or requesting technical support. The warranty is valid only if the completed registration is received by Ion™ within 30 days of purchase. **(SEE WARRANTY SECTION FOR MORE INFORMATION.)** You can register online by visiting [www.ioniceaugers.com](http://www.ioniceaugers.com), or by mailing the warranty card to: Ion™, 1160 Eighth Avenue, Cumberland, WI 54829. If you do not have a computer, call our customer service department at (800) 345-6007.



SERIAL NUMBER LOCATION

OWNERSHIP RECORDS		
Owner's Name:		
Owner's Address:		
City:	State/Province:	Zip Code/Postal Code:
Model Number:	Serial Number:	
Date of Purchase:		
Notes:		

**This manual may contain information for several models. Read and keep this manual for future reference. This manual contains important information on SAFETY, ASSEMBLY, OPERATION, AND MAINTENANCE. The owner must be certain that all the product information is included with the unit. This information includes the MANUAL, the REPLACEMENT PARTS and the WARRANTIES. This information must be included to make sure state laws and other laws are followed. This manual should remain with the machine even if it is resold.**

## WARNINGS AND SAFETY PRECAUTIONS

### OPERATOR'S RESPONSIBILITY

Accurate, safe and effective use of this product is the operator's responsibility.

- Read and follow all safety instructions.
- Maintain this machine according to directions and schedule included in this operator's manual.
- Ensure that anyone who uses the machine is familiar with and understands all controls and safety precautions.

### SAFETY MESSAGES

Your manual contains special messages to bring attention to potential safety concerns, as well as helpful operating and servicing information. Please read all the information carefully to avoid injury and machine damage.

**NOTE:** *General information is given throughout the manual that may help the operator in the operation or service of the product.*



This symbol points out important safety instructions which if not followed could endanger your personal safety.

### BEFORE OPERATING ENGINE:



#### WARNING

READ AND COMPLY WITH ENTIRE OPERATING AND MAINTENANCE INSTRUCTIONS FOR THIS MACHINE, IN ADDITION TO ALL SAFETY INSTRUCTIONS. FAILURE TO FOLLOW AND/OR COMPLY WITH THESE INSTRUCTIONS COULD RESULT IN LOSS OF MACHINE CONTROL, SERIOUS PERSONAL INJURY OR DEATH TO YOU AND/OR BYSTANDERS, AND EQUIPMENT AND PROPERTY DAMAGE. OPERATE THE MACHINE ACCORDING TO THE SAFETY INSTRUCTIONS OUTLINED HERE AND INSERTED THROUGHOUT THE TEXT. ANYONE WHO USES THIS MACHINE MUST READ THE INSTRUCTIONS AND BE FAMILIAR WITH THE CONTROLS.



#### WARNING

WARNING INDICATES A HAZARD WHICH, IF NOT AVOIDED, COULD RESULT IN DEATH OR SERIOUS INJURY AND/OR PROPERTY DAMAGE.



#### CAUTION

CAUTION INDICATES YOU CAN BE HURT OR YOUR EQUIPMENT DAMAGED IF THE SAFETY INSTRUCTIONS THAT FOLLOW THIS SIGNAL WORD ARE NOT OBEYED.



#### IMPORTANT

INDICATES HELPFUL INFORMATION FOR PROPER ASSEMBLY, OPERATION, OR MAINTENANCE OF YOUR EQUIPMENT.

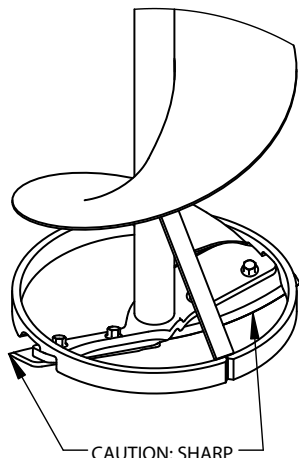


### Intended Use / Foreseeable Misuse

This is a motorized ice auger powerhead that drills into ice. It has an electric motor that powers the ice auger blades. It shall not be used for any other purpose.

## WARNINGS AND SAFETY PRECAUTIONS

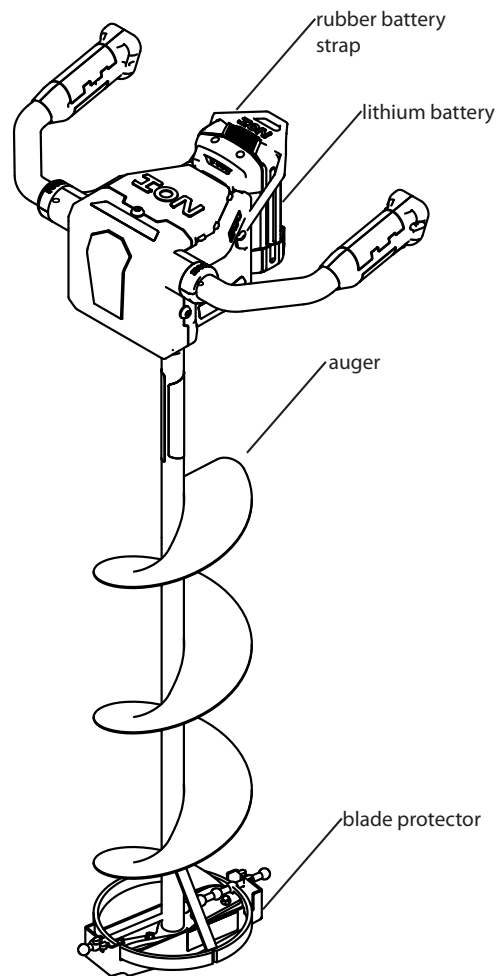
- The ice blades are very sharp. Use extreme caution when drilling a hole or replacing the blades. Put the blade guard on after each use.
- Always keep hands, feet, hair, drawstrings, scarves, hats and loose clothing away from any moving parts on powerhead and auger.
- Do not allow children to operate this power auger. Do not allow adults to operate the auger without proper instruction.
- Do not operate any power equipment under the influence of alcohol or drugs.
- Keep all screws, nuts and bolts tight.
- The battery must be removed before any repairs are attempted.
- If the ice auger becomes unturnable in a hole, remove the battery before attempting to remove manually.
- DO NOT use this product for other than its intended purpose.
- DO NOT use attachments other than those available from Ion™.
- DO NOT alter this product in any manner; doing so is dangerous and will void the warranty.
- DO NOT continue to use this product in the event of mechanical failure.
- This product produces considerable cutting force that is felt by the operator. Make sure your feet are firmly planted and that the handles are held firmly while operating the auger.
- During operation, the auger unit could stop. If this happens, release the operating switch. Reposition your feet and grip the handles tightly. Then squeeze operating switch and lift the auger gently.
- When drilling ice holes, do not push down on the auger. If auger begins to drill slowly, blades may need to be sharpened or replaced.



## IMPORTANT

**CHARGERS COME PACKAGED SEPARATELY IN THE AUGER CARTON. BATTERY MUST BE FULLY CHARGED BEFORE FIRST USE.**

## FEATURES:



**SAFETY AND WARNING DECALS**

The following markings and labels are applied to the product, in addition to those shown in the rest of the original operating instructions.

**ARDISAM, INC.**   
1160 8th Avenue | Cumberland, WI 54829 | USA

Serial No.

11483

Model: **11733** Type: **Ice Auger**  
Year: **2012** Mass: **5.9 kg**  
Max. Operating Speed: **208 rpm**


**Serial Nameplate Decal**  
P/N: 11483

 **WARNING**

 Auger blades are **EXTREMELY SHARP**. To avoid injury **USE CAUTION** when removing or replacing blades or guards.


LBLBPE

**Decal : Auger blades are extremely sharp**  
P/N: LBLBPE

 **WARNING**

 Failure to read, understand and follow all warnings and instructions listed could result in serious injury or death. Keep all body parts, clothing and foreign objects clear of rotating auger. Be sure auger is securely attached to powerhead during use. Remove battery from powerhead prior to transport. Do not use this auger as an anchoring device. Use this auger/powerhead as per provided instructions only.

11838

 **ioniceaugers.com**  
800-345-6007

A Division of Ardisam, Inc.  
1160 8th Avenue  
Cumberland, WI 54829

**Decal : Keep all body parts, clothing and foreign objects clear of rotating auger.**  
P/N: 11838

11817

 **WARNING**

TO REDUCE THE RISK OF INJURY READ AND UNDERSTAND THE OWNERS MANUAL BEFORE USE. CRUSHING, DISASSEMBLY, SHORTING OF TERMINALS, OR BURNING CAN CAUSE PERSONAL INJURY OR DEATH. IF BATTERY IS NOT USED CORRECTLY BURNS, EXPLOSION, AND OR FIRE ARE POSSIBLE. CHARGE ONLY WITH ION #11725 CHARGER. 





 **AVERTISSEMENT**

POUR RÉDUIRE LE RISQUE DE BLESSURE, VEILLER À LIRE ET À COMPRENDRE LE MODE D'EMPLOI AVANT UTILISATION. L'ÉCRASEMENT, LE DÉMONTAGE, LA MISE EN COURT-CIRCUIT DES BORNES OU LA COMBUSTION PEUVENT ENTRAÎNER DES BLESSURES CORPORELLES OU LA MORT. L'UTILISATION INCORRECTE DE LA BATTERIE PRÉSENTE DES RISQUES DE BRÛLURES, D'EXPLOSION ET D'INCENDIE. CHARGER UNIQUEMENT AVEC UN CHARGEUR ION N°11725.

 **ADVERTENCIA**

PARA REDUCIR EL RIESGO DE LESIONES, CERCÍERESE DE LEER Y COMPRENDER EL MANUAL DEL PROPIETARIO ANTES DE USAR EL PRODUCTO. SI SE APLASTAN, DESARMAN O SE LES OCASIONA UN CORTOCIRCUITO A LOS TERMINALES, O SI ESTOS SE QUEMAN, SE CORRE EL RIESGO DE SUFRIR LESIONES PERSONALES O LA MUERTE. SI LA BATERÍA NO SE UTILIZA CORRECTAMENTE, ESTA PUEDE PRODUCIR QUEMADURAS, EXPLOTAR O INCENDIARSE. UTILICE SOLO CARGADORES DE IONES N.º 11725.

**Decal : Read and understand the owner's manual before use**  
P/N: 11817

<p> <b>CAUTION</b></p> <p>RISK OF ELECTRIC SHOCK. READ AND UNDERSTAND THE OWNERS MANUAL BEFORE USE. ONLY USE IN DRY LOCATIONS. ONLY CHARGE ION #11251 RECHARGEABLE BATTERIES WITH THIS CHARGER. CHARGING BATTERIES NOT DESIGNED FOR THIS CHARGER CAN CAUSE PERSONAL INJURY OR DEATH. IF ANY PART OF THIS CHARGER IS DAMAGED COMPLETE CHARGER MUST BE REPLACED. </p>	<p> <b>ATTENTION</b></p> <p>RISQUE DE CHOC ÉLECTRIQUE. LIRE ET COMPRENDRE LE MODE D'EMPLOI AVANT UTILISATION. UTILISER UNIQUEMENT DANS DES ENDROITS SECS. CHARGER UNIQUEMENT DES BATTERIES RECHARGEABLES ION N°11251 AVEC CE CHARGEUR. LA CHARGE DE BATTERIES NON CONÇUES POUR CE CHARGEUR PEUT ENTRAÎNER DES BLESSURES CORPORELLES OU LA MORT. SI UNE QUELCONQUE PARTIE DE CE CHARGEUR EST ENDOMMAGÉE, LE CHARGEUR ENTIER DOIT ÊTRE CHANGÉ.</p>	<p> <b>PRECAUCIÓN</b></p> <p>PELIGRO DE DESCARGA ELÉCTRICA. CERCÍERESE DE LEER Y COMPRENDER EL MANUAL DEL PROPIETARIO ANTES DE USAR EL PRODUCTO. SOLO USE EL PRODUCTO EN LUGARES SECOS. UTILICE EL CARGADOR PARA CARGAR ÚNICAMENTE BATERÍAS DE IONES RECARGABLES N.º 11251. SI SE CARGA OTRO TIPO DE BATERÍAS QUE NO ESTÉN DISEÑADAS PARA ESTE CARGADOR, SE PUEDEN PRODUCIR LESIONES PERSONALES O LA MUERTE. SI ALGUNA PARTE DEL CARGADOR SE DAÑA, DEBERÁ CONSEGUIR UN CARGADOR NUEVO. 11826</p>
---	---	---

**Decal : Read and understand the owner's manual before use.**  
P/N: 11826

## UNPACKING AND ASSEMBLY

### TO ASSEMBLE THE AUGER TO THE POWERHEAD:

1. Remove the allen wrench that is attached to the auger shaft near the top with tape.
2. Insert the allen wrench into the bolt at the top of the auger and remove by turning counter-clockwise.
3. Remove the protective plastic cap from the drive shaft. Insert the drive shaft of the powerhead into the collar of the auger assembly. **SEE FIGURE 1.**
4. Align the hole in the auger shaft with the hole in the powerhead shaft. Tighten firmly, turning clockwise. There may be some wiggle in the connection; this is normal. If the connection is too tight, disassembly may be difficult.

### TO CHARGE BATTERY FOR FIRST USE:

1. Connect the charger to standard 110 or 240-volt outlet; a red light should appear on the charger. Always connect charger to standard 110 or 240-volt wall outlet before inserting battery. **SEE FIGURE 2.**
2. Charge the battery until the light on the charger turns solid green.
3. To disconnect the battery, remove the plug from the wall outlet then disconnect the battery from charger.

**NOTE: Do not leave the battery on the charger after the charge is complete. Unplug the charger from the wall and remove the battery.**

### TO INSTALL BATTERY:

1. Slide the battery onto the powerhead until it is fully seated.
2. Pull the rubber hold-down strap over the battery to keep the battery securely on the powerhead.

## IMPORTANT

**BATTERY MUST BE FULLY CHARGED PRIOR TO FIRST USE.**

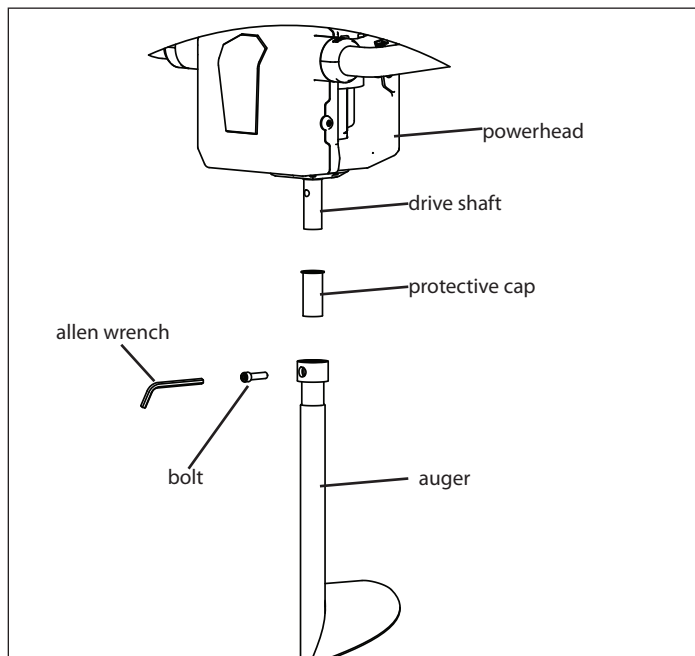


Figure 1

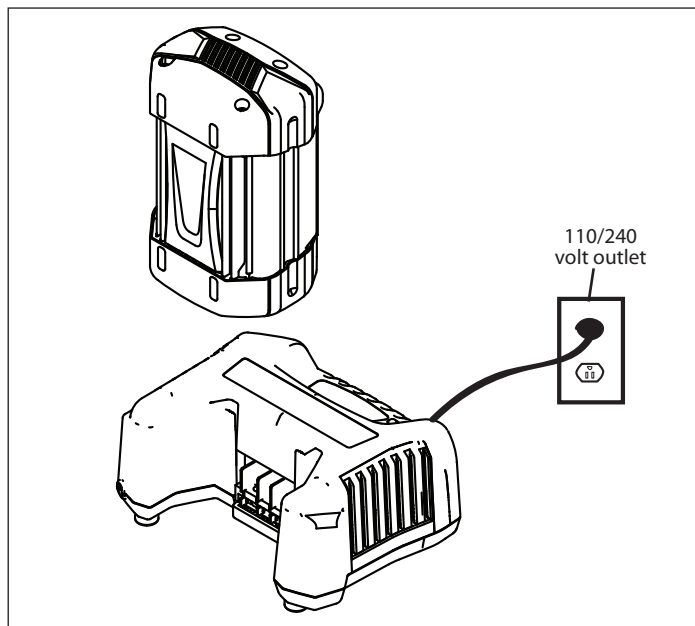


Figure 2

## OPERATION

The Ion™ is powered using the 36-volt battery supplied with the unit.

1. Make sure your footing is secure and that you have the unit in the vertical position firmly in your hands.
2. Slide the operating lock button, then squeeze the operating trigger. Following a two-second safety delay, the auger will then start drilling. **SEE FIGURE 3.**
3. To stop the auger, release the operating switch.
4. When the auger is not in use, remove the battery.

**NOTE: When the auger is not in use, be sure to situate the auger so that electronic components (battery, motor, switch, etc.) are away from water, snow or other moisture.**

## BATTERY CHARGING AND MONITORING

1. Remove the rubber battery hold-down strap by pulling it towards the motor. **SEE FIGURE 4.**
2. Remove the battery by sliding it off of the powerhead.
3. Plug the charger into a 110/240AC outlet.
4. Slide the battery into the charger.
5. The charge indicator light should blink green. **SEE FIGURE 5.**
6. When indicator light is lit solid green, the battery is fully charged.
7. Once the battery has been fully charged, unplug the charger from the wall.
8. Remove the battery from the charger.
9. Place the battery back onto the powerhead when ready to use.
10. Pull the rubber battery hold-down strap back over battery.

## MAINTENANCE AND STORAGE

Read the maintenance schedule and observe these recommendations to extend the life of your electric auger.

Good maintenance is essential for safe, economical, and trouble-free operation. To help you properly care for your powerhead, the following pages include a maintenance schedule, routine inspection procedures, and simple maintenance procedures using basic hand tools.

Other service tasks that are more difficult, or require special tools, are best handled by professionals and are normally performed by a technician or other qualified mechanic.

The maintenance schedule applies to normal operating conditions. If you operate your powerhead under unusual conditions, such as sustained high-load, or use in unusually wet conditions, consult Ion™ customer service for recommendations applicable to your individual needs and use.

### MAINTENANCE SCHEDULE

MAINTENANCE ITEM	Before each day's use	Every 500 charges	Yearly
Check bolts and nut	X		
Battery	Charge	X	
	Replace		X
Sharpen/Replace Blades			X

## IMPORTANT

**DO NOT LEAVE BATTERY ON POWERHEAD WHEN AUGER IS NOT IN USE. ALWAYS UNATTACH BATTERY WHEN NOT USING THE ICE AUGER.**

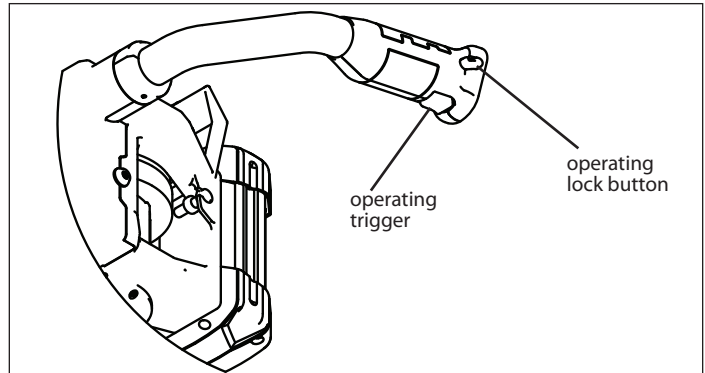


Figure 3

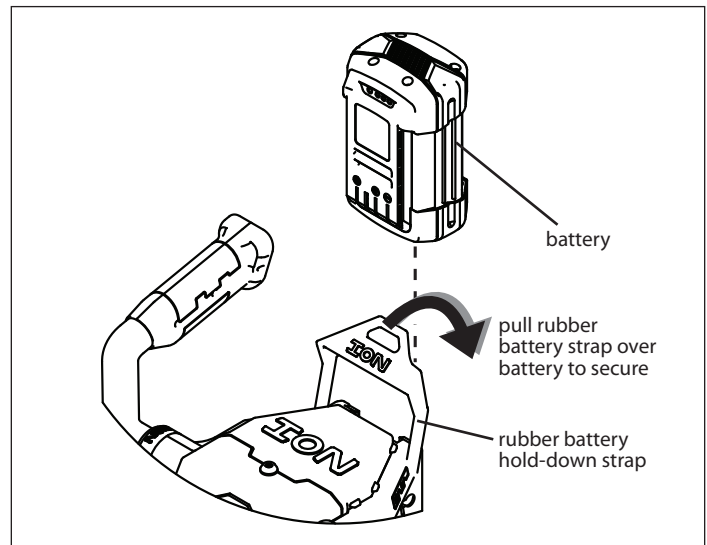


Figure 4

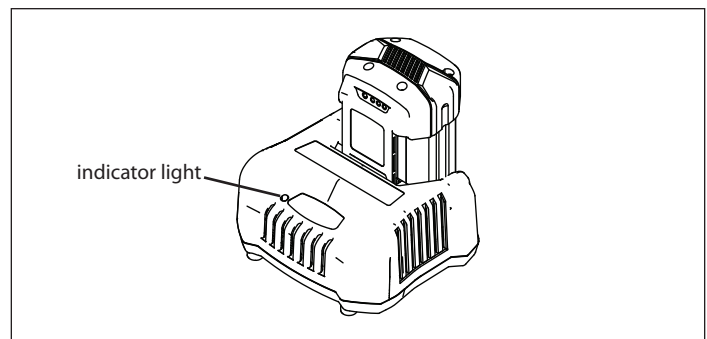


Figure 5

## TRANSPORTING YOUR ICE AUGER

- Remove the battery if transporting the auger.

## LONG-TERM STORAGE

- If your ice auger will not be run for more than one month, prepare it for long-term storage.

### Steps for Long Term Storage

1. Charge the battery and leave it off of the unit. DO NOT leave the battery on the charger. Store the battery in temperatures between 40° F- 120° F.
2. Remove the auger from the powerhead and apply a thin layer of grease to the drive shaft. **SEE FIGURE 1.**
3. Remove all debris from auger and powerhead.
4. Attach the blade protector to bottom of auger.
5. Keep in dry, moisture-free area.

Connect the battery to the charger every three months to ensure that it maintains a full charge during extended storage.

## SERVICE, TROUBLESHOOTING AND REPAIR

### SERVICE INFORMATION

At Ardisam, we build quality and durability into the design of our products; but no amount of careful design by us, and careful maintenance by you, can guarantee a repair-free life for your auger. Most repairs will be minor, and easily fixed by following the suggestions in the troubleshooting guide in this section.

The guide will help you pinpoint the causes of common problems and identify remedies.

For more complicated repairs, contact Ion™ customer service. A parts catalog is included in this section.

We will always be glad to answer any questions you have, or help you find suitable assistance. To order parts or inquire about warranty, call or write us at the address found below, under the section Ordering repair parts.

### ORDERING REPAIR PARTS

Parts can be obtained direct from the factory. To order from the factory, call, write or order online at [www.ioniceaugers.com](http://www.ioniceaugers.com):

**Ardisam, Inc.**  
**1160 Eighth Avenue, Cumberland, Wisconsin 54829**  
**1-800-345-6007 • 1-715-822-2415**  
**E-mail: [info@ardisam.com](mailto:info@ardisam.com)**

Please include the following information with your order:

1. Part numbers
2. Part description
3. Quantity
4. Model number and serial number

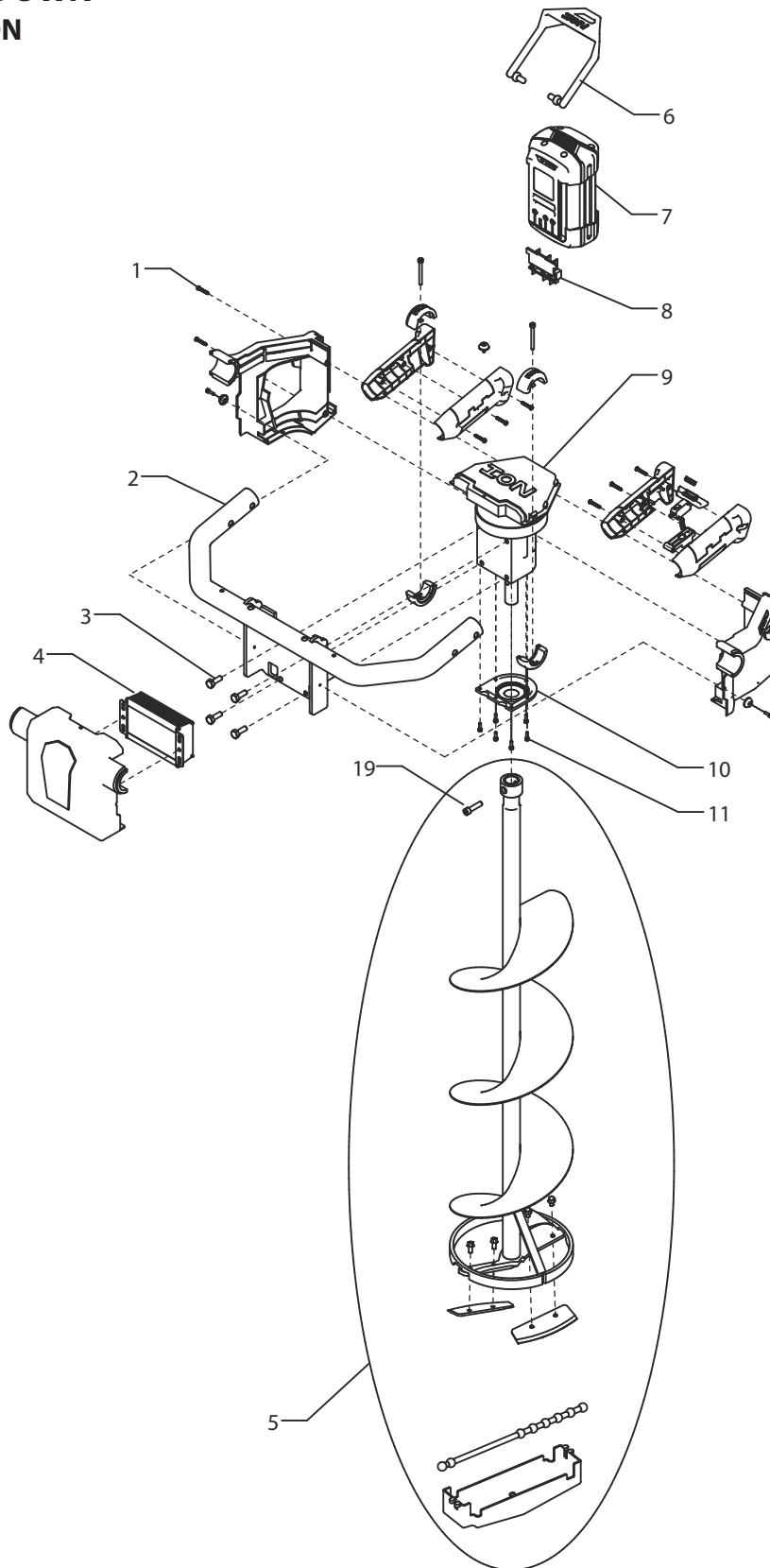
## Troubleshooting

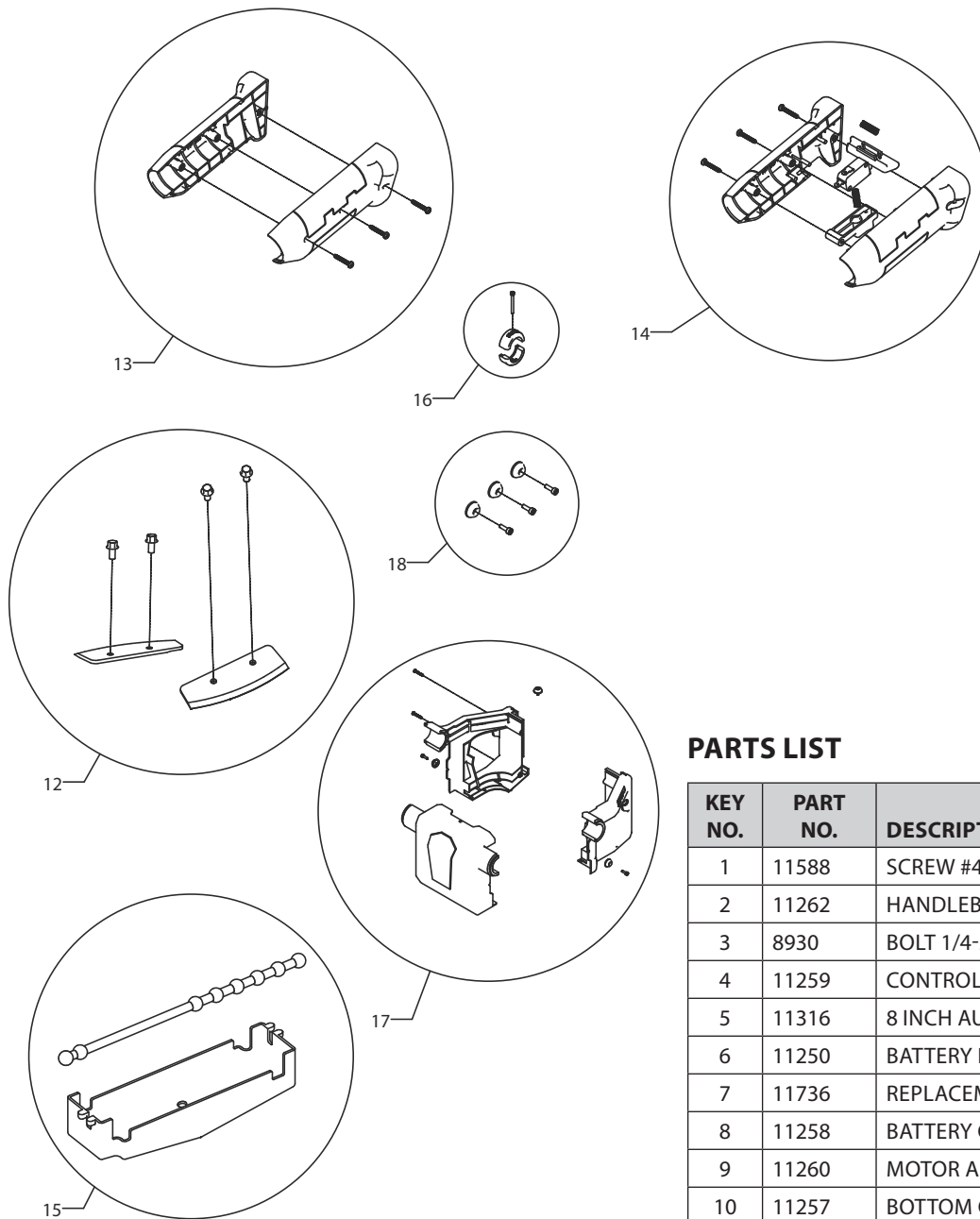
PROBLEM	POSSIBLE CAUSE	REMEDY/ACTION
Powerhead will not turn	1. Power switch not held	1. Hold switch for five seconds
Powerhead starts, then stops	1. Battery low on power	1. Charge battery
Auger jumps on ice	1. Blades damaged or sharpened incorrectly	1. Replace with new blades, or contact customer service about our blade sharpening program
Auger cuts slowly	1. Dull blades	1. Buy new blades

Contact Ion™ customer service at 800-345-6007 if above remedies fail.



**PARTS BREAKDOWN  
PARTS EXPLOSION**





**PARTS LIST**

KEY NO.	PART NO.	DESCRIPTION	QTY.
1	11588	SCREW #4-20 X 3/4	8
2	11262	HANDLEBAR WELDMENT ION	1
3	8930	BOLT 1/4-20 X 3/4	4
4	11259	CONTROLLER	1
5	11316	8 INCH AUGER ASSEMBLY ION	1
6	11250	BATTERY RETAINER	1
7	11736	REPLACEMENT BATTERY	1
8	11258	BATTERY CONNECTOR WITH WIRES	1
9	11260	MOTOR AND TRANSMISSION ION	1
10	11257	BOTTOM CAP	1
11	11587	BOLT M3 X 0.5 X 10MM	10
12	11735	REPLACEMENT BLADES 8 INCH ION	1
13	11898	HAND GRIP KIT NON SWITCH SIDE	1
14	11897	HAND GRIP KIT SWITCH SIDE	1
15	11734	BLADE PROTECTOR KIT 8 INCH ION	1
16	11899	HANDLEBAR COLLAR KIT	2
17	11895	MOTOR PLASTIC KIT ION	1
18	11896	CONE WASHER AND BOLT KIT ION	1
19	1509	BOLT 1/4-20 X 1 SH BLK ZN	1



## ***ION™ ICE AUGER POWERHEADS***

### **Warranty Terms and Conditions**

#### **PRODUCT WARRANTY: 2-YEAR LIMITED WARRANTY\***

Ardisam, Inc., warrants this **ION™ ICE AUGER POWERHEAD** to be free from defects in the material or workmanship for a period of two years from the date of purchase. During the two-year warranty of this product, Ardisam will furnish, at their discretion, parts and labor to correct any defect caused by faulty material or workmanship. Any unit used in a commercial application is covered for a period of 90 days after purchase. This warranty applies to the original owner with a proof of purchase and is not transferable. For the warranty to be valid, the product must be registered online, or the warranty card must be filled out and received by Ardisam, Inc., within 30 days of purchase.

#### **BATTERY WARRANTY: 1-YEAR LIMITED WARRANTY\***

Ardisam, Inc., warrants its Ion™ battery under a one-year limited warranty to be free from defects in materials and workmanship for a period not exceeding twelve consecutive months from the date of purchase. The warranty period begins on the date of purchase by the first retail consumer or commercial end user, and continues for the period of time stated above. Any unit used in a commercial application is covered for a period of 90 days after purchase. For the warranty to be valid, the product must be registered online, or the warranty card must be filled out and received by Ardisam, Inc., within 30 days of purchase.

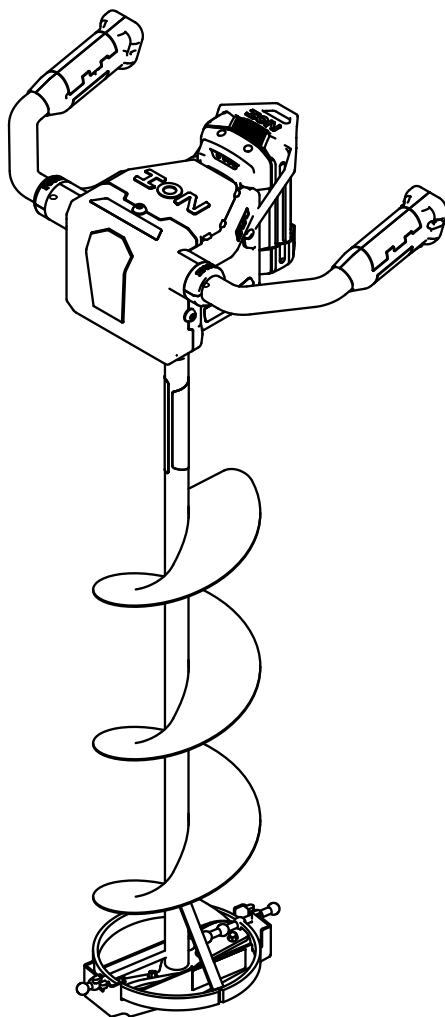
\*These warranties apply only to products which have not been subjected to negligent use, misuse, uses other than those indicated in the product's owner's manual, alteration, accident, use of unauthorized parts, failure to perform periodic maintenance as specified in product's owner's manual, normal wear and tear, or repairs performed at non-authorized service centers. These warranties supersede all other warranties either expressed or implied and all other obligations or liabilities on our part. Ardisam, does not assume, and does not authorize any other person to assume for us, any liability in connection with the sale of our products. **To obtain warranty service, you must have prior approval by calling our customer service department at 1-800-345-6007.** If you choose to ship your product to Ardisam for warranty repair, you must first have prior approval from Ardisam by calling our customer service department for a return material authorization number (RMA#). Under these circumstances, all items must be shipped prepaid. Ardisam will at no charge, repair or replace, at their discretion, any defective part which falls under the conditions stated above. Ardisam retains the right to change models, specifications and price without notice.



Ion™, Division of Ardisam, Inc.  
1160 8th Avenue, PO Box 666  
Cumberland, WI 54829  
800-345-6007 | Fax 715-822-2223  
E-mail: [info@ardisam.com](mailto:info@ardisam.com)



Manuel de l'opérateur  
**Ion™**  
**Tarière à glace**  
**électrique**  
Traduction des instructions  
originales d'utilisation



**ION™**  
**TARIÈRE À GLACE ÉLECTRIQUE**  
MODÈLE 11733

Pièces détachées en ligne à  
[www.ioniceaugers.com](http://www.ioniceaugers.com)



11474  
Révision 06/03/12  
© 2012 Ardisam, Inc.  
Tous droits réservés.

## INTRODUCTION

### MERCI...

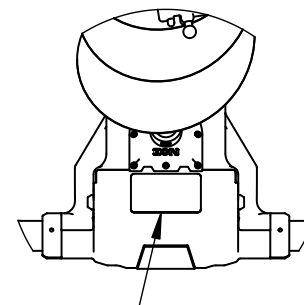
d'avoir acheté une tarière à glace électrique haute performance Ion™ d'Ardisam, Inc. Nous nous sommes attachés à ce que cette tarière à glace réponde aux plus hautes normes d'utilisation et de durabilité. Moyennant des soins corrects, elle offrira de nombreuses années de service. Veuillez prendre le temps de lire ce manuel avec attention pour apprendre comment utiliser et entretenir correctement votre tarière à glace. Nous vous félicitons pour votre investissement dans la qualité.

### SOMMAIRE

Enregistrement et registre d'entretien .....	2
Avertissements et mesures de précaution.....	3-5
Équipements.....	4
Déballage et assemblage .....	6
Utilisation .....	7
Entretien .....	7-8
Service après-vente et réparations .....	8
Dépannage.....	8
Pièces détachées .....	9-10
Garantie .....	11

## ENREGISTREMENT ET REGISTRE D'ENTRETIEN

Consigner le numéro de modèle et le numéro de série dans l'espace prévu pour y accéder facilement lors des commandes de pièces détachées ou demandes d'assistance technique. La garantie est valable uniquement si l'enregistrement dûment rempli est reçu par Ion™ dans les 30 jours après l'achat. **(POUR PLUS DE RENSEIGNEMENTS, VOIR LA SECTION SUR LA GARANTIE.)** L'enregistrement peut se faire en ligne en visitant [www.ioniceaugers.com](http://www.ioniceaugers.com) ou par l'envoi de la carte de garantie à : Ion™, 1160 Eighth Avenue, Cumberland, WI 54829, États-Unis. Notre service après-vente peut également être joint par téléphone au (800) 345-6007.



EMPLACEMENT DU NUMÉRO DE SÉRIE

RENSEIGNEMENTS SUR LE PROPRIÉTAIRE		
Nom du propriétaire :		
Adresse du propriétaire :		
Ville :	État/Province :	Code postal :
Numéro de modèle :	Numéro de série :	
Date d'achat :		
Notes :		

**Le présent manuel peut contenir des informations concernant plusieurs modèles. Lire ce manuel et le conserver pour toute consultation ultérieure. Ce manuel contient des renseignements importants sur la SÉCURITÉ, l'ASSEMBLAGE, l'UTILISATION et l'ENTRETIEN. Le propriétaire doit veiller à ce que toute la documentation pertinente accompagne le produit. Cette documentation comprend le MANUEL, la NOMENCLATURE DES PIÈCES et les GARANTIES. Cette documentation doit être incluse pour assurer le respect des réglementations en vigueur. Le présent manuel doit rester avec la machine, notamment si elle est revendue.**

## AVERTISSEMENTS ET MESURES DE PRÉCAUTION

### RESPONSABILITÉ DE L'UTILISATEUR

L'utilisation correcte, sûre et efficace de ce produit relève de la responsabilité du propriétaire.

- Lire et suivre toutes les instructions de sécurité.
- Entretien cette machine conformément aux instructions et au calendrier figurant dans le présent manuel de l'utilisateur.
- S'assurer que quiconque utilise la machine connaît et comprend toutes les commandes et mesures de précaution.

### MESSAGES DE SÉCURITÉ

Ce manuel contient des messages spéciaux attirant l'attention sur des problèmes potentiels de sécurité, ainsi que des informations utiles sur le fonctionnement et l'entretien. Veiller à lire toutes ces informations avec attention pour éviter les blessures et les dommages à la machine.

**REMARQUE :** Des informations générales sont fournies à travers ce manuel pouvant aider l'opérateur dans l'utilisation ou l'entretien du produit.

 Ce symbole signale des instructions de sécurité importantes qui doivent être respectées pour ne pas mettre en danger la sécurité des personnes.

### AVANT DE FAIRE FONCTIONNER LE MOTEUR :

#### AVERTISSEMENT

VEILLER À LIRE ET COMPRENDRE L'ENSEMBLE DES INSTRUCTIONS D'UTILISATION ET D'ENTRETIEN DE CETTE MACHINE, EN PLUS DE TOUTES LES INSTRUCTIONS DE SÉCURITÉ. LE NON-RESPECT DE CES INSTRUCTIONS PEUT ENTRAÎNER UNE PERTE DE CONTRÔLE DE LA MACHINE, DES BLESSURES GRAVES OU LA MORT DE L'OPÉRATEUR ET/OU D'AUTRES PERSONNES PRÉSENTES ET DES DOMMAGES MATÉRIELS. UTILISER LA MACHINE CONFORMÉMENT AUX INSTRUCTIONS DE SÉCURITÉ FOURNIES ICI ET TOUT AU LONG DU MANUEL. QUICONQUE UTILISE CETTE MACHINE DOIT LIRE LES INSTRUCTIONS ET ÊTRE FAMILIARISÉ AVEC LES COMMANDES.

## Emploi prévu / emploi détourné prévisible

Ceci est une tarière motorisée conçue pour forer la glace. Elle comporte un moteur électrique qui entraîne les couteaux de la tarière. Elle ne doit être utilisée à aucune autre fin.

#### AVERTISSEMENT

INDIQUE UN DANGER QUI, S'IL N'EST PAS ÉVITÉ, PEUT PROVOQUER LA MORT OU DES BLESSURES CORPORELLES ET/OU DÉGÂTS MATÉRIELS GRAVES.

#### ATTENTION

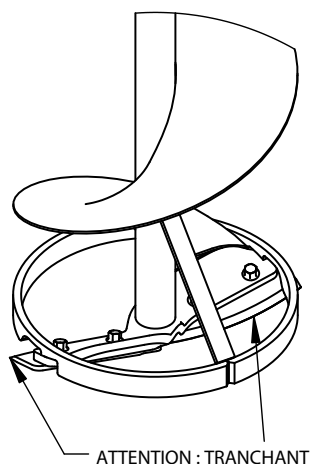
INDIQUE UN RISQUE DE BLESSURES OU DE DOMMAGES AU MATÉRIEL SI LES INSTRUCTIONS DE SÉCURITÉ QUI SUIVENT CE MOT-INDICATEUR NE SONT PAS RESPECTÉES.

#### IMPORTANT

SIGNALE DES INFORMATIONS UTILES CONCERNANT L'ASSEMBLAGE, L'UTILISATION OU L'ENTRETIEN DU MATÉRIEL.

## AVERTISSEMENTS ET MESURES DE PRÉCAUTION

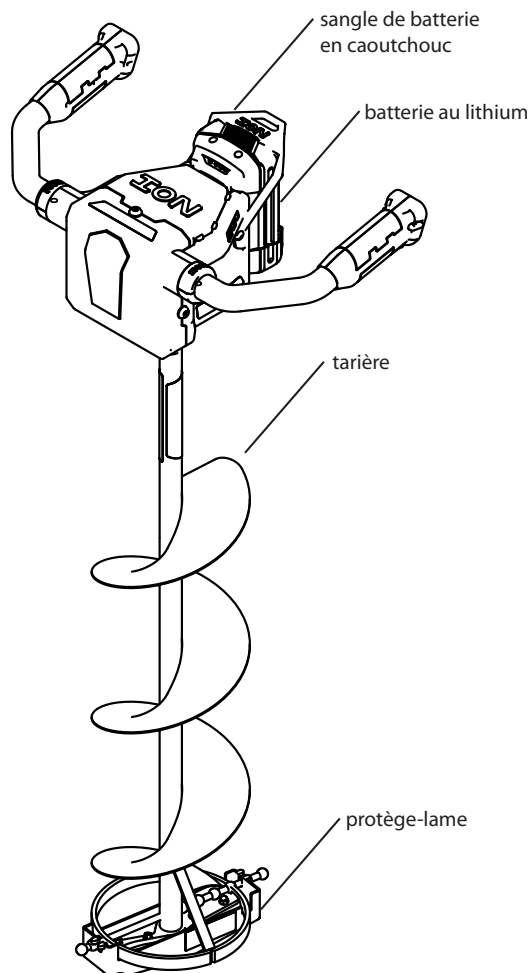
- Les couteaux à glace sont très tranchants. Faire preuve de beaucoup de précaution pour forer la glace ou changer les couteaux. Mettre le protège-lame en place après chaque utilisation.
- Toujours tenir les mains, pieds, cheveux, lacets de serrage, écharpes, bonnets et vêtements amples à l'écart de toute pièce en mouvement du bloc moteur et de la tarière.
- Ne pas laisser d'enfant utiliser cette tarière à moteur. Ne pas laisser d'adulte utiliser cette tarière sans instruction appropriée.
- Ne pas utiliser de machine à moteur alors qu'on est sous l'emprise d'alcool ou de drogue.
- Maintenir tous les boulons, vis et écrous bien serrés.
- La batterie doit être retirée avant toute réparation.
- Si la tarière à glace se coince dans un forage, retirer la batterie avant de tenter de la sortir manuellement.
- NE PAS utiliser ce produit à des fins autres que celles prévues.
- NE PAS utiliser d'accessoires autres que ceux proposés par Ion™.
- NE PAS modifier ce produit d'une quelconque façon ; cela est dangereux et a pour effet d'annuler la garantie.
- NE PAS continuer à utiliser ce produit en cas de défaillance mécanique.
- Ce produit développe une force de coupe considérable qui est ressentie par l'utilisateur. Veiller à avoir les pieds solidement ancrés et à tenir fermement les poignées durant l'utilisation de la tarière.
- Durant l'utilisation, il est possible que la tarière cale. Si cela se produit, relâcher la gâchette de commande. Repositionner les pieds et serrer fermement les poignées. Enfoncer ensuite la gâchette et soulever délicatement la tarière.
- Durant le forage de la glace, ne pas pousser la tarière vers le bas. Si la tarière commence à forer plus lentement, il peut être nécessaire d'affûter ou de changer les couteaux.



## IMPORTANT

**LE CHARGEUR EST CONDITIONNÉ SÉPARÉMENT DANS LE CARTON DE LA TARIÈRE. LA BATTERIE DOIT ÊTRE COMPLÈTEMENT CHARGÉE AVANT LA PREMIÈRE UTILISATION.**

## ÉQUIPEMENTS :





### AUTOCOLLANTS DE SÉCURITÉ ET DE MISE EN GARDE

Les marquages et étiquettes suivants sont apposés sur le produit, en plus de ceux présentés tout au long des instructions d'utilisation.

**ARDISAM, INC.**   
1160 8th Avenue | Cumberland, WI 54829 | USA

Serial No.

11483

Model: **11733** Type: **Ice Auger**  
Year: **2012** Mass: **5.9 kg**  
Max. Operating Speed: **208 rpm**


Étiquette signalétique  
RÉF. : 11483


 **WARNING**


 Auger blades are **EXTREMELY SHARP**. To avoid injury **USE CAUTION** when removing or replacing blades or guards.  
LBLBPE

Autocollant : Les couteaux de tarière sont très tranchants  
RÉF. : LBLBPE

11817

 **WARNING**

TO REDUCE THE RISK OF INJURY READ AND UNDERSTAND THE OWNERS MANUAL BEFORE USE. CRUSHING, DISASSEMBLY, SHORTING OF TERMINALS, OR BURNING CAN CAUSE PERSONAL INJURY OR DEATH. IF BATTERY IS NOT USED CORRECTLY BURNS, EXPLOSION, AND OR FIRE ARE POSSIBLE. CHARGE ONLY WITH ION #11725 CHARGER. 

 **AVERTISSEMENT**

POUR RÉDUIRE LE RISQUE DE BLESSURE, VEILLER À LIRE ET À COMPRENDRE LE MODE D'EMPLOI AVANT UTILISATION. L'ÉCRASEMENT, LE DÉMONTAGE, LA MISE EN COURT-CIRCUIT DES BORNES OU LA COMBUSTION PEUVENT ENTRAÎNER DES BLESSURES CORPORELLES OU LA MORT. L'UTILISATION INCORRECTE DE LA BATTERIE PRÉSENTE DES RISQUES DE BRÛLURES, D'EXPLOSION ET D'INCENDIE. CHARGER UNIQUEMENT AVEC UN CHARGEUR ION N°11725.

 **ADVERTENCIA**

PARA REDUCIR EL RIESGO DE LESIONES, CERCÍERESE DE LEER Y COMPRENDER EL MANUAL DEL PROPIETARIO ANTES DE USAR EL PRODUCTO. SI SE APLASTAN, DESARMAN O SE LES OCASIONA UN CORTOCIRCUITO A LOS TERMINALES, O SI ESTOS SE QUEMAN, SE CORRE EL RIESGO DE SUFRIR LESIONES PERSONALES O LA MUERTE. SI LA BATERÍA NO SE UTILIZA CORRECTAMENTE, ESTA PUEDE PRODUCIR QUEMADURAS, EXPLOTAR O INCENDIARSE. UTILICE SOLO CARGADORES DE IONES N.º 11725.





Autocollant : Lire et comprendre le mode d'emploi avant utilisation.  
RÉF. : 11817

 **WARNING**

 Failure to read, understand and follow all warnings and instructions listed could result in serious injury or death. Keep all body parts, clothing and foreign objects clear of rotating auger. Be sure auger is securely attached to powerhead during use. Remove battery from powerhead prior to transport. Do not use this auger as an anchoring device. Use this auger/powerhead as per provided instructions only. 11838

 **ioniceaugers.com**  
800-345-6007  
A Division of Ardisam, Inc.  
1160 8th Avenue  
Cumberland, WI 54829

Autocollant : Tenir toutes les parties du corps, vêtements et objets étrangers à l'écart de la tarière en rotation.  
RÉF. : 11838

<p> <b>CAUTION</b></p> <p>RISK OF ELECTRIC SHOCK. READ AND UNDERSTAND THE OWNERS MANUAL BEFORE USE. ONLY USE IN DRY LOCATIONS. ONLY CHARGE ION #11251 RECHARGEABLE BATTERIES WITH THIS CHARGER. CHARGING BATTERIES NOT DESIGNED FOR THIS CHARGER CAN CAUSE PERSONAL INJURY OR DEATH. IF ANY PART OF THIS CHARGER IS DAMAGED COMPLETE CHARGER MUST BE REPLACED. </p>	<p> <b>ATTENTION</b></p> <p>RISQUE DE CHOC ÉLECTRIQUE. LIRE ET COMPRENDRE LE MODE D'EMPLOI AVANT UTILISATION. UTILISER UNIQUEMENT DANS DES ENDROITS SECS. CHARGER UNIQUEMENT DES BATTERIES RECHARGEABLES ION N°11251 AVEC CE CHARGEUR. LA CHARGE DE BATTERIES NON CONÇUES POUR CE CHARGEUR PEUT ENTRAÎNER DES BLESSURES CORPORELLES OU LA MORT. SI UNE QUELCONQUE PARTIE DE CE CHARGEUR EST ENDOMMAGÉE, LE CHARGEUR ENTIER DOIT ÊTRE CHANGÉ.</p>	<p> <b>PRECAUCIÓN</b></p> <p>PELIGRO DE DESCARGA ELÉCTRICA. CERCÍERESE DE LEER Y COMPRENDER EL MANUAL DEL PROPIETARIO ANTES DE USAR EL PRODUCTO. SOLO USE EL PRODUCTO EN LUGARES SECOS. UTILICE EL CARGADOR PARA CARGAR ÚNICAMENTE BATERÍAS DE IONES RECARGABLES N.º 11251. SI SE CARGA OTRO TIPO DE BATERÍAS QUE NO ESTÉN DISEÑADAS PARA ESTE CARGADOR, SE PUEDEN PRODUCIR LESIONES PERSONALES O LA MUERTE. SI ALGUNA PARTE DEL CARGADOR SE DAÑA, DEBERÁ CONSEGUIR UN CARGADOR NUEVO. 11826</p>
---	---	---

Autocollant : Lire et comprendre le mode d'emploi avant utilisation.  
RÉF. : 11826

## DÉBALLAGE ET ASSEMBLAGE

### POUR MONTER LA TARIÈRE SUR LE BLOC MOTEUR :

1. Sortir la clé Allen qui est attachée près du haut de l'arbre de tarière avec du ruban adhésif.
2. Insérer la clé Allen dans le boulon au sommet de la tarière et le déposer en tournant dans le sens inverse des aiguilles d'une montre.
3. Déposer le capuchon protecteur en plastique de l'arbre d'entraînement. Enfiler l'arbre d'entraînement du bloc moteur dans collier de la tarière. **VOIR FIGURE 1.**
4. Aligner le trou de l'arbre de tarière avec celui de l'arbre de bloc moteur. Visser fermement le bouton en tournant dans le sens des aiguilles d'une montre. Il peut y avoir un peu de jeu dans le raccord; cela est normal. Si le raccord est trop serré, le démontage peut s'avérer difficile.

### POUR CHARGER LA BATTERIE AVANT LA PREMIÈRE UTILISATION :

1. Brancher le chargeur sur une prise de courant standard de 110 ou 240 V ; un voyant rouge doit s'allumer sur le chargeur. Toujours brancher le chargeur sur une prise murale de 110 ou 240 V avant d'y placer la batterie. **VOIR FIGURE 2.**
2. Charger la batterie jusqu'à ce que le voyant vert du chargeur soit allumé en continu.
3. Pour débrancher la batterie, débrancher la fiche de la prise murale puis retirer la batterie du chargeur.

**REMARQUE : Ne pas laisser la batterie sur le chargeur une fois que la charge est terminée. Débrancher le chargeur de la prise murale et retirer la batterie.**

### POUR METTRE EN PLACE LA BATTERIE :

1. Enfiler la batterie à fond dans le bloc moteur.
2. Tirer la sangle de retenue en caoutchouc sur la batterie pour la maintenir solidement dans le bloc moteur.

## IMPORTANT

**LA BATTERIE DOIT ÊTRE COMPLÈTEMENT CHARGÉE AVANT LA PREMIÈRE UTILISATION.**

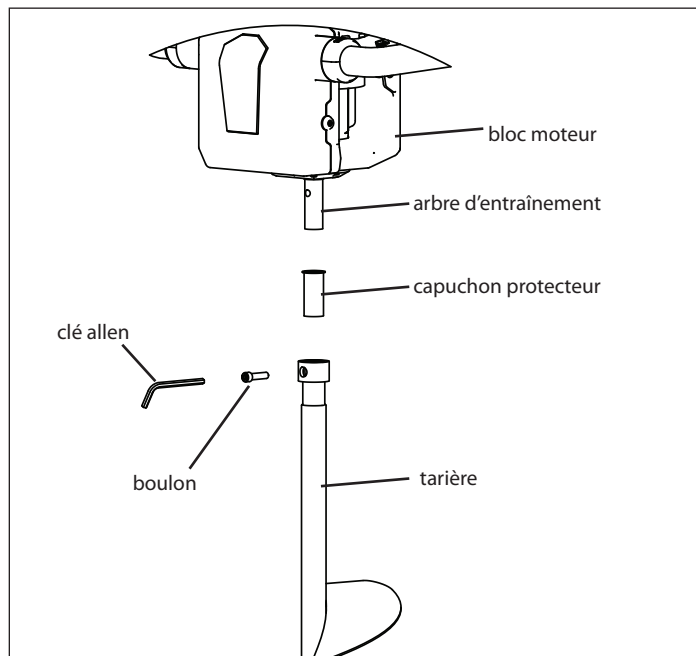


Figure 1

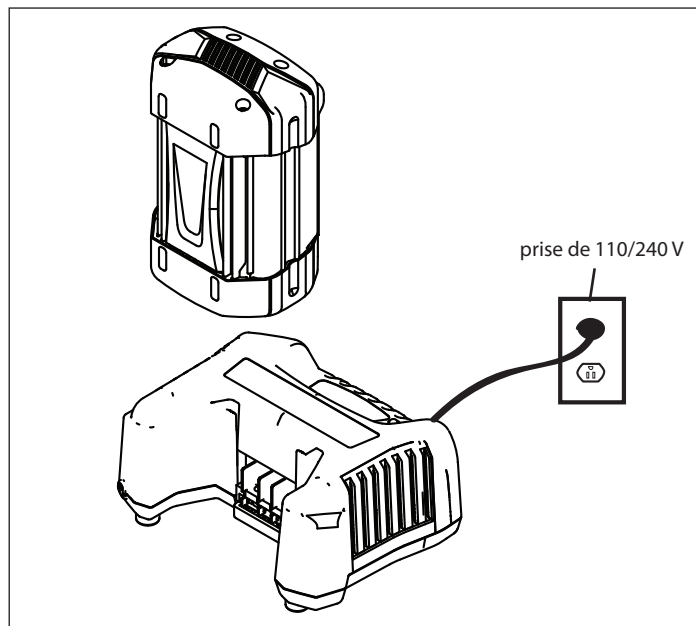


Figure 2

## UTILISATION

La tarière Ion™ est alimentée par la batterie 36 V fournie avec la machine.

1. Veiller à avoir les pieds solidement campés sur le sol et à tenir fermement la machine entre les mains en position verticale.
2. Faire coulisser le bouton de blocage de gâchette puis serrer la gâchette de commande. La tarière commence à forer au bout d'un délai de sécurité de deux secondes. **VOIR FIGURE 3.**
3. Pour arrêter la tarière, relâcher la gâchette de commande.
4. Lorsque la tarière n'est pas utilisée, retirer la batterie.

**REMARQUE :** Lorsque la tarière n'est pas utilisée, veiller à placer la machine de manière à garder les composants électroniques (batterie, moteur, gâchette, etc.) à l'écart de l'eau, la neige et autre source d'humidité.

## CHARGE ET CONTRÔLE DE LA BATTERIE

1. Dégager la sangle de retenue de batterie en caoutchouc en la tirant vers le moteur. **VOIR FIGURE 4.**
2. Extraire la batterie hors du bloc moteur.
3. Brancher le chargeur sur une prise de courant réseau de 110/240 V.
4. Enfiler la batterie dans le chargeur.
5. Le voyant indicateur de charge doit clignoter en vert. **VOIR FIGURE 5.**
6. Lorsque le voyant indicateur vert brille en continu, la batterie est complètement chargée.
7. Une fois que la batterie est complètement chargée, débrancher le chargeur de la prise murale.
8. Retirer la batterie du chargeur.
9. Remettre la batterie dans le bloc moteur avant utilisation.
10. Tirer la sangle de retenue de batterie en caoutchouc sur la batterie.

## ENTRETIEN ET ENTREPOSAGE

Lire le calendrier d'entretien et respecter les délais préconisés pour étendre la durée de service de la tarière électrique.

Un bon entretien est indispensable à un fonctionnement sûr, économique et sans panne de la machine. Pour assurer des soins corrects du bloc moteur, les pages suivantes comportent un calendrier d'entretien, des instructions de contrôle courant et des instructions d'entretien élémentaire au moyen d'outils à mains de base.

Il est préférable de confier à des professionnels les tâches d'entretien ou de réparation plus difficiles ou nécessitant un outillage spécial et qui sont normalement effectuées par un technicien ou autre mécanicien qualifié.

Le calendrier d'entretien s'applique à des conditions normales d'utilisation. Si le bloc moteur est utilisé dans des conditions inhabituelles, notamment sous une charge élevée soutenue ou dans des conditions inhabituellement humides, obtenir des conseils relatifs à ces besoins et emplois particuliers auprès du service après-vente d'Ion™.

### CALENDRIER D'ENTRETIEN

OPÉRATION D'ENTRETIEN	Avant chaque utilisation quotidienne	Toutes les 500 charges	Chaque année
Contrôler les boulons et écrous	X		
Batterie	Charger	X	
	Remplacer		X
Affûter/changer les couteaux			X

## ⚠ IMPORTANT

**NE PAS LAISSER LA BATTERIE SUR LE BLOC MOTEUR LORSQUE LA TARIÈRE N'EST PAS UTILISÉE. TOUJOURS DÉTACHER LA BATTERIE LORSQUE LA TARIÈRE À GLACE EST INUTILISÉE.**

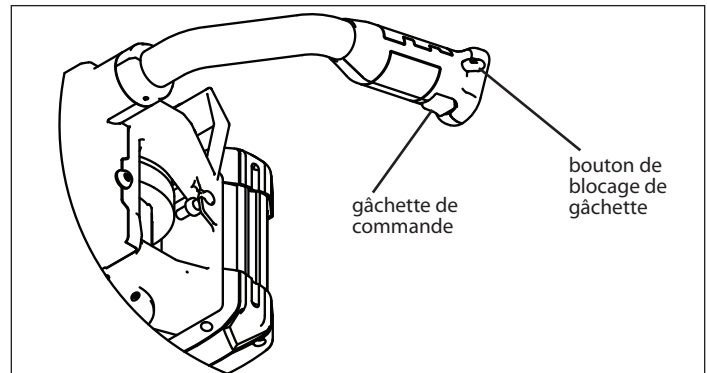


Figure 3

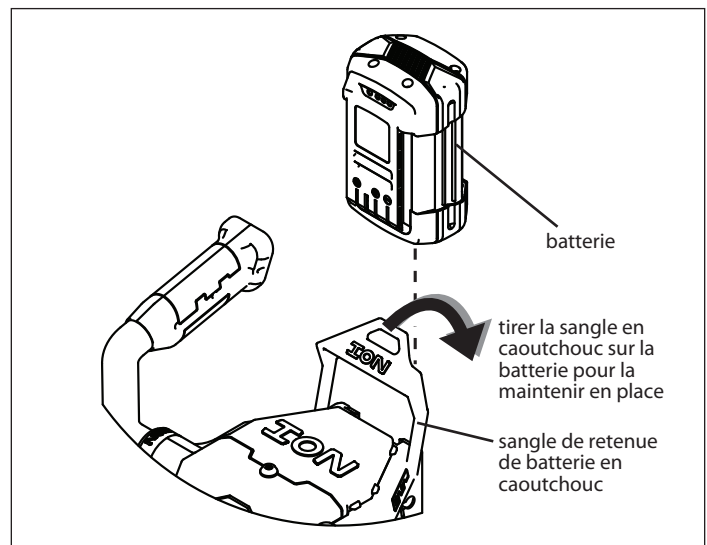


Figure 4

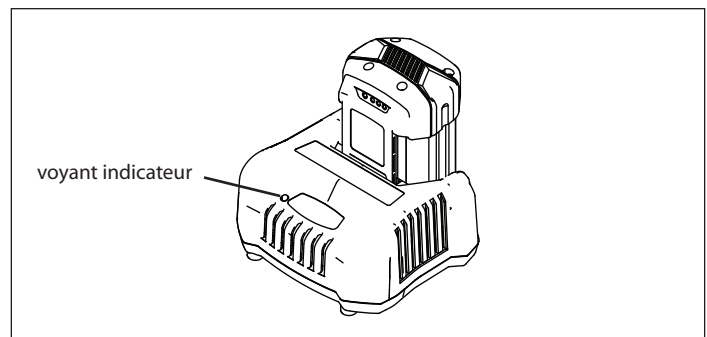


Figure 5

## TRANSPORT DE LA TARIÈRE À GLACE

- Retirer la batterie avant de transporter la tarière.

## ENTREPOSAGE À LONG TERME

- Si la tarière à glace ne doit pas être utilisée pendant un mois ou plus, la préparer pour l'entreposage à long terme.

### Préparation à l'entreposage à long terme

- Charger la batterie et la laisser hors de la machine. NE PAS laisser la batterie dans le chargeur. Entreposer la batterie à des températures comprises entre 5 °C et 50 °C.
- Retirer la tarière du bloc moteur et enduire l'arbre du moteur d'une fine couche de graisse. **VOIR FIGURE 1.**
- Éliminer tous débris de la tarière et du bloc moteur.
- Attacher le protège-lame au bas de la tarière.
- Conserver dans un endroit sec.

Placer la batterie dans le chargeur tous les trois mois pour la maintenir à pleine charge durant un entreposage prolongé.

## SERVICE APRÈS-VENTE, DÉPANNAGE ET RÉPARATION

### INFORMATIONS SUR LE SERVICE APRÈS-VENTE

Chez Ardisam, nous intégrons la qualité et la durabilité dans la conception de nos produits; mais toute la conception soignée et tout l'entretien attentionné ne sauraient garantir une existence de la tarière totalement exempte de réparation. La majorité des problèmes sont mineurs et aisément résolus en suivant les indications du guide de dépannage qui suit.

Ce guide aide à diagnostiquer les causes des problèmes les plus courants et à identifier leurs solutions.

Pour les réparations plus compliquées, s'adresser au service après-vente d'Ion™. La présente section comporte un catalogue de pièces détachées.

Nous sommes toujours heureux de répondre à toute question ou d'aider à trouver l'assistance qui convient. Pour commander des pièces ou se renseigner au sujet de la garantie, nous appeler ou nous écrire à l'adresse ci-dessous dans la section Commande de pièces de rechange.

### COMMANDE DE PIÈCES DE RECHANGE

Les pièces peuvent s'obtenir directement auprès de l'usine. Pour passer une commande, appeler, écrire ou commander en ligne à [www.ioniceaugers.com](http://www.ioniceaugers.com) :

**Ardisam, Inc.**  
**1160 Eighth Avenue, Cumberland, Wisconsin 54829**  
**1-800-345-6007 • 1-715-822-2415**  
**Courriel : [info@ardisam.com](mailto:info@ardisam.com)**

Veiller à joindre les renseignements suivants à la commande :

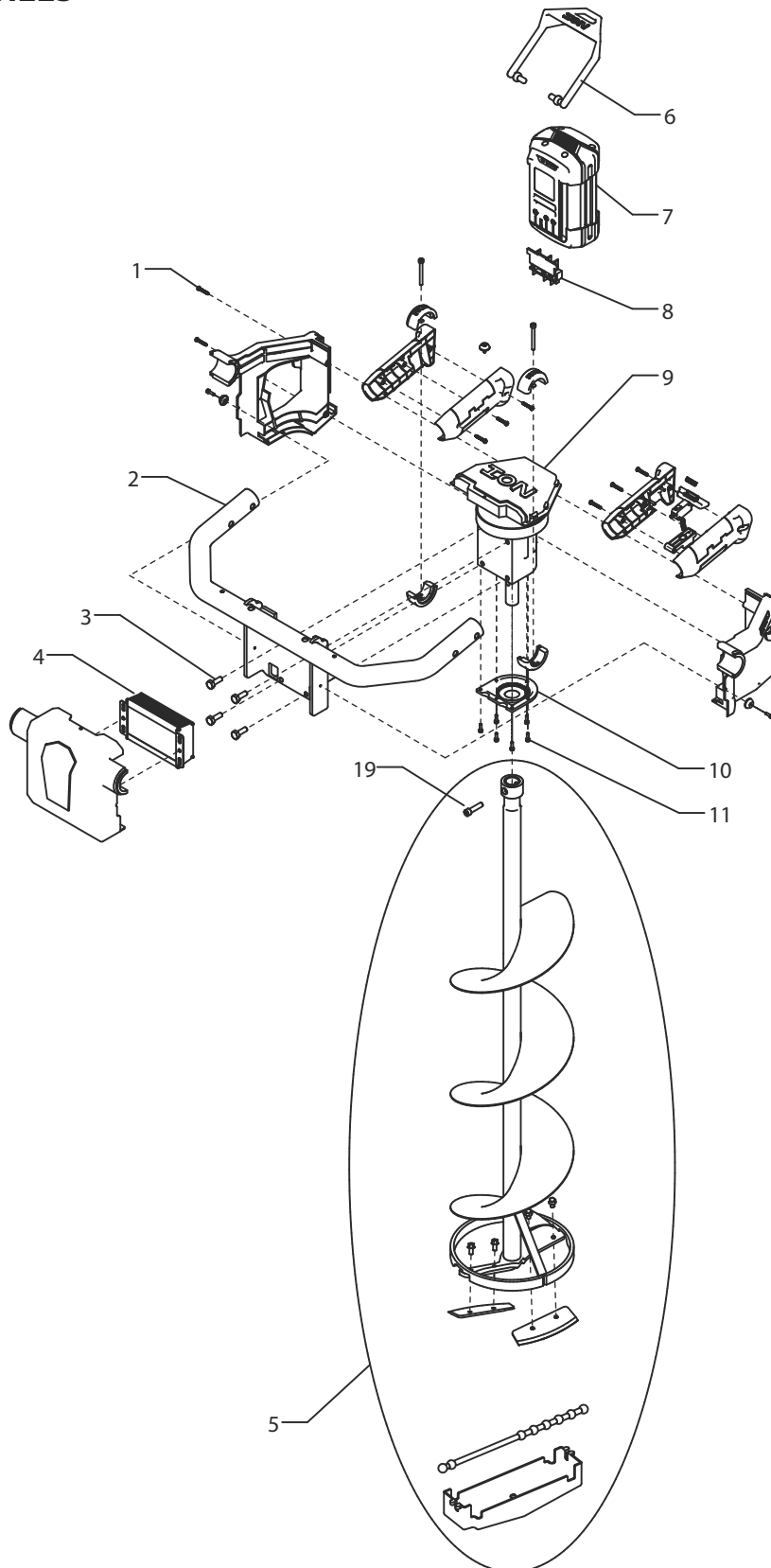
- Référence des pièces
- Description des pièces
- Quantité
- Numéro de modèle et numéro de série

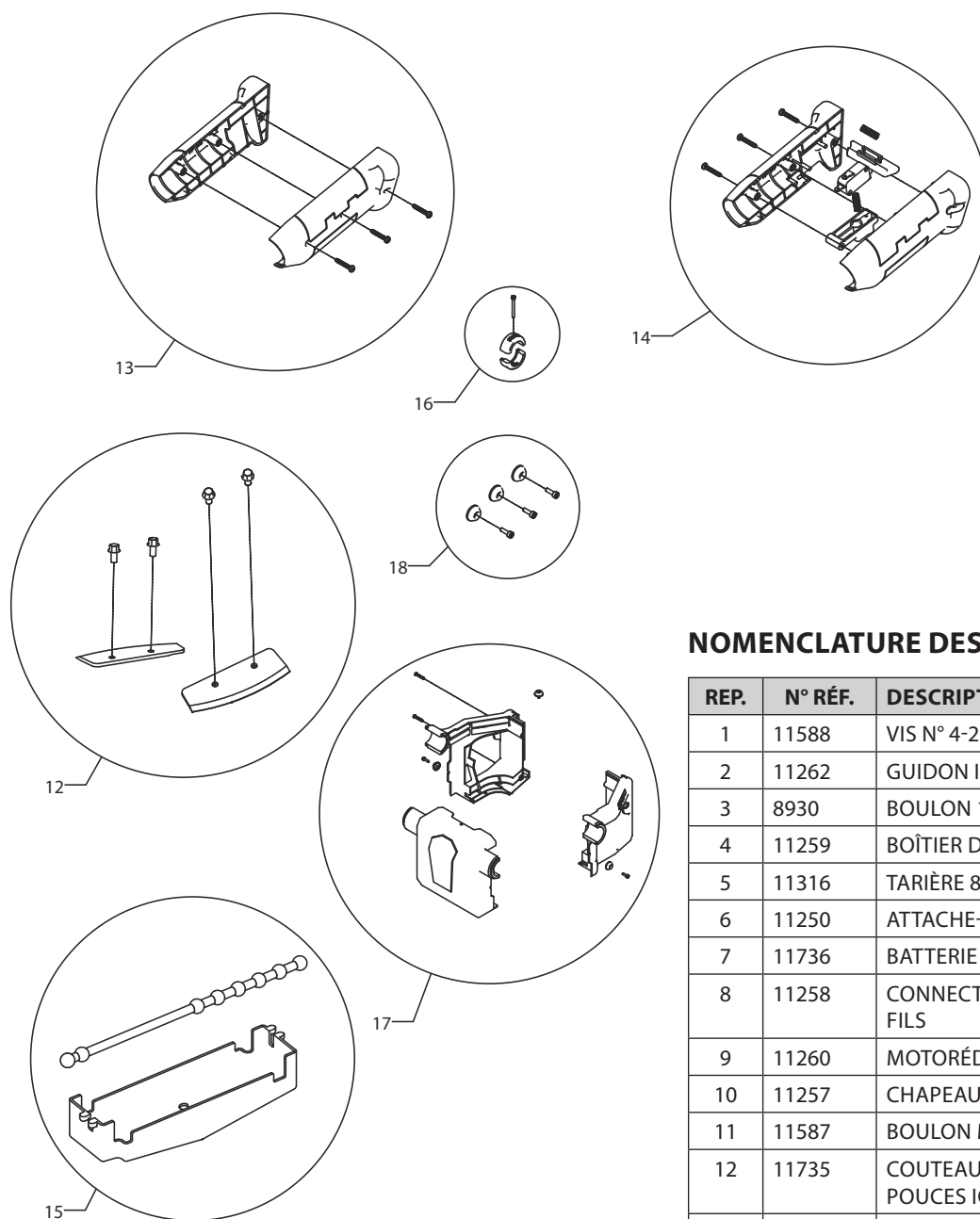
## Dépannage

PROBLÈME	CAUSE POSSIBLE	SOLUTION/ACTION
Le bloc moteur ne tourne pas	1. La gâchette de commande n'est pas enfoncée	1. Tenir la gâchette enfoncée pendant cinq secondes
Le bloc moteur démarre, puis s'arrête	1. Batterie déchargée	1. Charger la batterie
La tarière saute sur la glace	1. Couteaux endommagés ou mal affûtés	1. Remplacer par des couteaux neufs ou s'informer sur notre programme d'affûtage de couteaux auprès du service après-vente
La tarière fore lentement	1. Couteaux émoussés	1. Acheter des couteaux neufs

S'adresser au service après-vente d'Ion™ au 800-345-6007 si toutes les solutions ci-dessus échouent.

**PIÈCES DÉTACHÉES  
VUE EN ÉCLATÉ**





### NOMENCLATURE DES PIÈCES

REP.	N° RÉF.	DESCRIPTION	QTÉ
1	11588	VIS N° 4-20 X 3/4	8
2	11262	GUIDON ION	1
3	8930	BOULON 1/4-20 X 3/4	4
4	11259	BOÎTIER DE COMMANDE	1
5	11316	TARIÈRE 8 POUCES COMPLÈTE ION	1
6	11250	ATTACHE-BATTERIE	1
7	11736	BATTERIE DE RECHANGE	1
8	11258	CONNECTEUR DE BATTERIES AVEC FILS	1
9	11260	MOTORÉDUCTEUR ION	1
10	11257	CHAPEAU INFÉRIEUR	1
11	11587	BOULON M3 X 0,5 X 10 MM	10
12	11735	COUTEAUX DE RECHANGE 8 POUCES ION	1
13	11898	POIGNÉE POUR CÔTÉ SANS GÂCHETTE	1
14	11897	POIGNÉE POUR CÔTÉ GÂCHETTE	1
15	11734	PROTÈGE-LAME 8 POUCES ION	1
16	11899	COLLIER DE GUIDON	2
17	11895	CARTER MOTEUR PLASTIQUE ION	1
18	11896	JEU DE BOULONS ET RONDELLES CONIQUES ION	1
19	1509	BOULON 1/4-20 X 1 SH NOIR ZN	1



## ***BLOCS MOTEURS DE TARIÈRE À GLACE ION™***

### **Modalités de la garantie**

#### **GARANTIE PRODUIT : GARANTIE LIMITÉE 2 ANS\***

Ardisam, Inc. garantit ce **BLOC MOTEUR DE TARIÈRE À GLACE ION™** pièces et main-d'œuvre pendant une durée de deux ans à compter de la date d'achat. Durant la période de garantie de deux de ce produit, Ardisam fournira, à son entière discrétion, les pièces et la main-d'œuvre nécessaires pour corriger toute défaillance résultant de défauts de matériel ou de fabrication. Toute machine utilisée dans le cadre d'une activité commerciale est couverte pendant une durée de 90 jours après l'achat. Cette garantie s'applique au propriétaire initial disposant d'un justificatif d'achat et n'est pas transférable. Pour que la garantie soit valable, le produit doit être enregistré en ligne ou la carte de garantie doit être remplie et reçue par Ardisam, Inc. dans les 30 jours après l'achat.

#### **GARANTIE SUR LA BATTERIE : GARANTIE LIMITÉE 1 AN\***

Ardisam, Inc., couvre la batterie Ion™ par une garantie limitée un an pièces et main-d'œuvre pendant une durée maximale de douze mois consécutifs à compter de la date d'achat. La période de garantie débute à la date d'achat par le premier acheteur au détail ou utilisateur commercial et s'étend sur la durée indiquée ci-dessus. Toute machine utilisée dans le cadre d'une activité commerciale est couverte pendant une durée de 90 jours après l'achat. Pour que la garantie soit valable, le produit doit être enregistré en ligne ou la carte de garantie doit être remplie et reçue par Ardisam, Inc. dans les 30 jours après l'achat.

\*Les présentes garanties s'appliquent exclusivement aux produits n'ayant pas fait l'objet de négligence, emploi détourné, utilisations autres que celles indiquées dans le manuel de l'utilisateur du produit, modifications, accident, utilisation de pièces non autorisées, manquement à effectuer l'entretien régulier indiqué dans le manuel de l'utilisateur du produit, usure normale ou réparations effectuées ailleurs que dans un centre de réparation agréé. Ces garanties remplacent toutes les autres garanties expresses ou implicites et toutes les autres obligations ou responsabilités de notre part. Ardisam n'assume aucune responsabilité, et n'autorise personne à assumer en son nom une quelconque responsabilité, en rapport avec la vente de ses produits. **Pour recourir à la garantie, veiller à obtenir un accord préalable en appelant notre service après-vente au 1-800-345-6007.** Avant d'envoyer le produit à Ardisam pour une réparation sous garantie, l'accord préalable d'Ardisam doit être obtenu en appelant notre service après-vente pour recevoir un numéro d'autorisation de renvoi de matériel (RMA#). Sous ces circonstances, tous les articles doivent être envoyés en port payé. Ardisam, à son entière discrétion, réparera ou remplacera sans frais toute pièce défectueuse qui remplit les conditions énoncées ci-dessus. Ardisam se réserve le droit de modifier les modèles, les caractéristiques et les prix sans préavis.



Ion™, Division of Ardisam, Inc.  
1160 8th Avenue, PO Box 666  
Cumberland, WI 54829  
800-345-6007 | Fax 715-822-2223  
E-mail: [info@ardisam.com](mailto:info@ardisam.com)